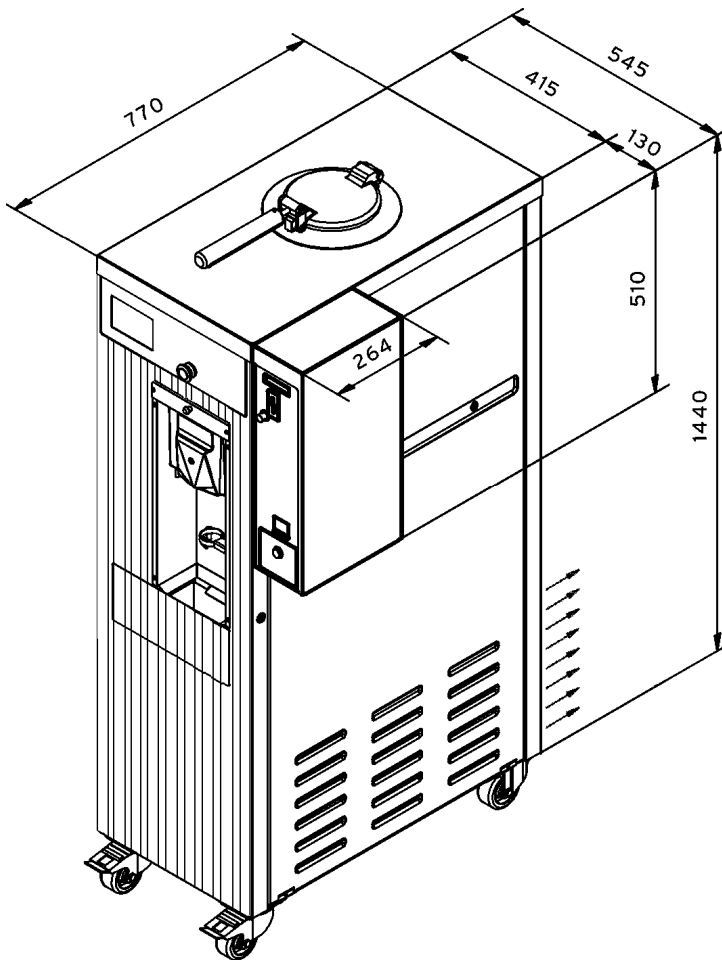




## Technical data L 12 HL (air-cooled)

### self-service and coin device



This self-service ice cream machine with portioning system enables the customer to tap his ice cream himself.

The coin device is able to work with tokens or real money (all currencies). The cash box accepts different coins.

#### measurements:

width.....	416 mm
height.....	1440 mm
depth.....	770 mm
space for air outlet backside.....	95 mm
weight .....	around 240 kg

#### mains connection

	rated voltage	rated power
3 / N / Pe ~ 50 Hz	400 V	2,6 kW
16 A CEE plug		
mains connection: 16 A with delay fuse		
The circuit must always be live even after close of the business.		

cooling agent R 404A

power of the cooling aggregate: 2.7 kW at 50 Hz

emission of acoustic pressure level < 70 dBA

#### program sales

freezing the mix with high overrun

#### program conservation

the ice mix is cooled automatically

#### program pasteurisation

*(with a very gentle hot gas technology)*

the ice mix is pasteurised and cooled afterwards

#### program emptying

cleaning and flushing the machine

#### program heat-sterilising

heat-sterilising the freezing cylinder and storing tank with tap water

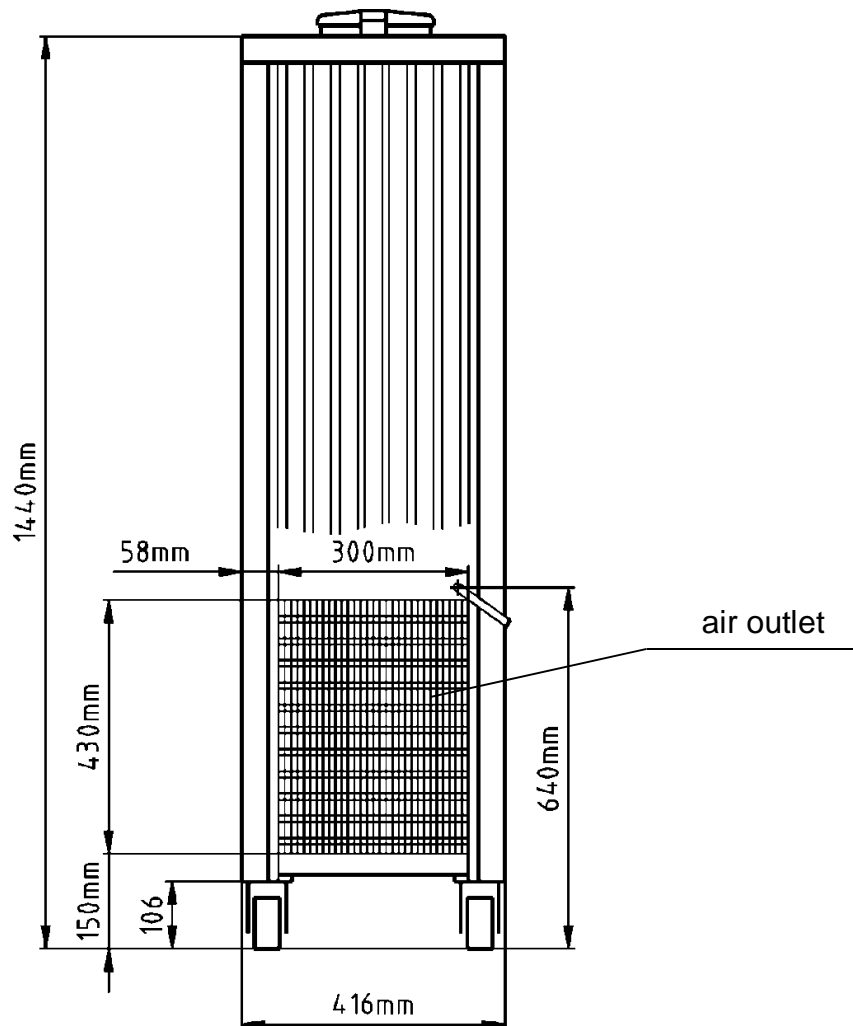
ice production performance:

35 kg/h at 22°C surrounding temperature

*(subject to technical modifications and amendments)*



backside view



**ATTENTION:**

If the machine is positioned with its rear to the wall there has to be a wall opening of the size of the air outlet.

**Range of application of model L12 HL:**

- surrounding temperature of 5°C (frost proof) to max. 43°C
- higher temperatures lead to reduced performance of air-cooled machines
- direct solarisation to the condenser should be avoided